

## LPMW Radiant Wall Burner

### The Lowest NOx Emissions Available From A Radiant Wall Burner

The LPMW™ burner is the latest ultra-low NOx radiant wall burner technology from John Zink Hamworthy Combustion. By combining lean premix primary fuel with a centrally located, radially fired staged fuel injector, the LPMW delivers the lowest NOx emissions available in a pre-mix radiant wall burner. Stainless steel construction keeps maintenance requirements low.

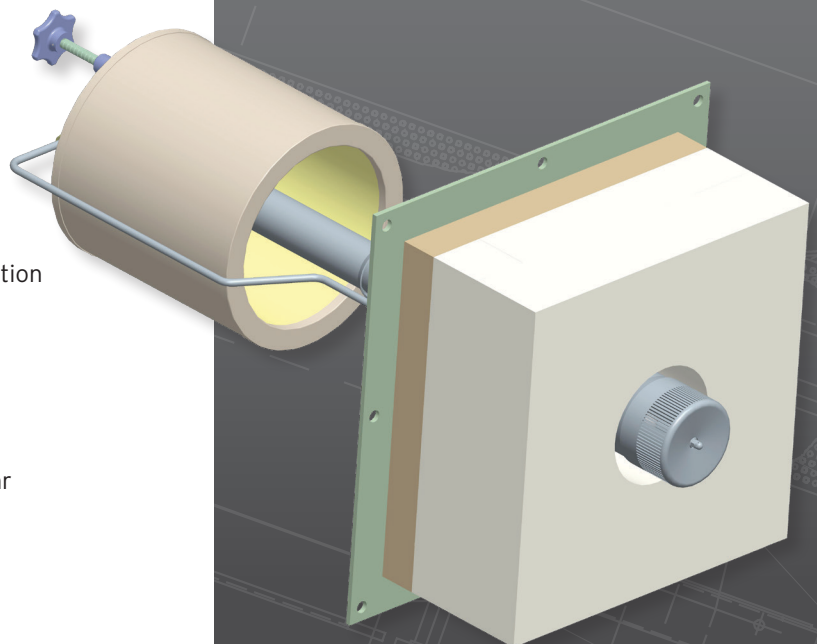
Whether replacing existing equipment or new furnace construction, this balanced combination of high performance and low maintenance makes the LPMW burner the ideal choice for ethylene, EDC, and reformer applications.

#### Performance

- + Emissions
  - 35 - 40 ppmvd NOx in ethylene services
  - Optional Remote Fuel Staging (RFS) for additional NOx reduction
- + Less than 85 dB(A) noise at 3 ft or 1 m
- + Fuel flexibility including up to 75% hydrogen
- + Specifically designed to provide a radial flame that lies flat against the fired wall preventing flame projection into the process coils
- + No secondary air required

#### Airside Capacity

- + Typical design heat release ranges from 0.5 MMBtu/hr (0.15 MW) to 1.5 MMBtu/hr (0.44 MW)



Trading Partner:  
Aliado Comercial:



HOUSTON, TX - USA + 1 281.469.1423  
info@ferrumenergy.com

ferrumenergy.com

*The LPMW doesn't just provide the lowest NOx emissions for a radiant wall burner, it offers superior flashback resistance, too.  
That's smart. That's JZHC.*

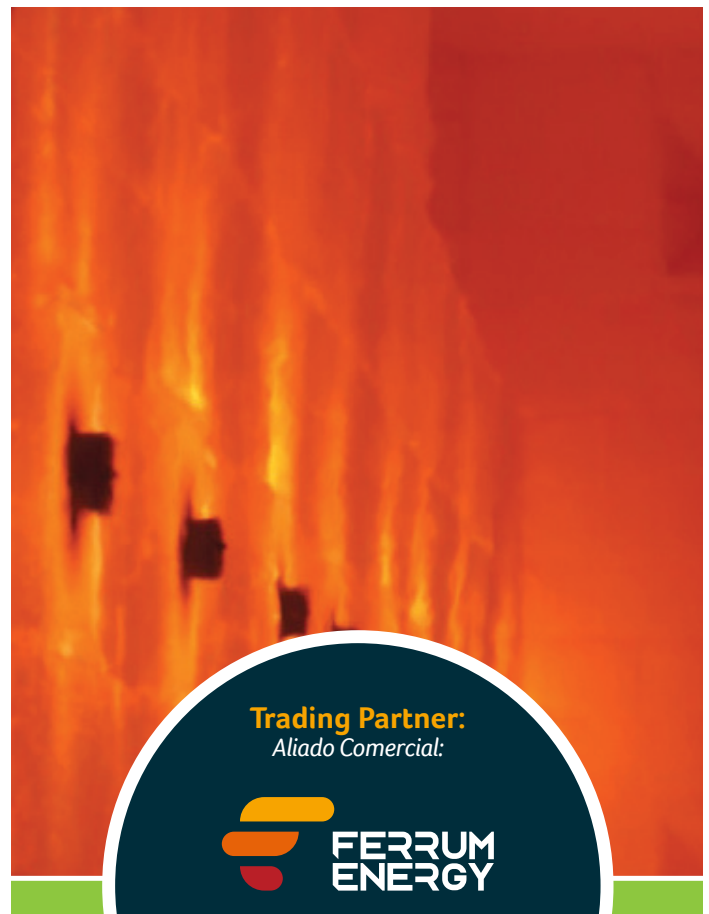
## Design

- + Low, easy maintenance
  - All stainless steel construction
  - Easily removable primary orifice spud holder
  - Stainless steel metal liner to minimize muffler insulation erosion
- + Slide-N-Lock™ primary air door (optional)
  - Ease of adjustability
  - Durable construction ensures reliable performance
- + Compact design
  - In many cases can be retrofitted into existing furnaces without tile modifications
  - Typical tile dimension: 18" x 18" (457 mm x 457 mm)
- + Slotted tip design for improved longevity
- + Multi-component tile for reduced weight
- + Can be supplied with pilots, UV scanners, ionization rods and igniters
- + Proprietary design of staged tip allows for installation in tight applications
- + Low noise designs available

## We Back You Up Like No Other

The John Zink Hamworthy Combustion worldwide service organization is the largest, most technically knowledgeable team of its kind. Our service technicians are trained in the latest technologies to evaluate existing systems for upgrades and retrofits, to troubleshoot operations, and to help plan your next turnaround. **Our experts are available on emergency call-out 24 hours a day, 7 days a week.**

We also provide additional support by offering world-class education through comprehensive burner courses held at the John Zink Institute<sup>SM</sup>. These courses help operators and engineers optimize their equipment and address issues at their facilities.



**Trading Partner:**  
*Aliado Comercial:*



HOUSTON, TX - USA + 1 281.469.1423  
info@ferrumenergy.com

[ferrumenergy.com](http://ferrumenergy.com)



**JZHC has locations all over the map,**  
with thousands of employees worldwide.



### Global Headquarters

johnzinkhamworthy.com  
+1 918 234 1800

Tulsa, Oklahoma | United States

To locate an office in your region,  
visit [johnzinkhamworthy.com/contacts/office-locator](http://johnzinkhamworthy.com/contacts/office-locator)